

LOGSTOR TMC-C Montagevejledning - Industri

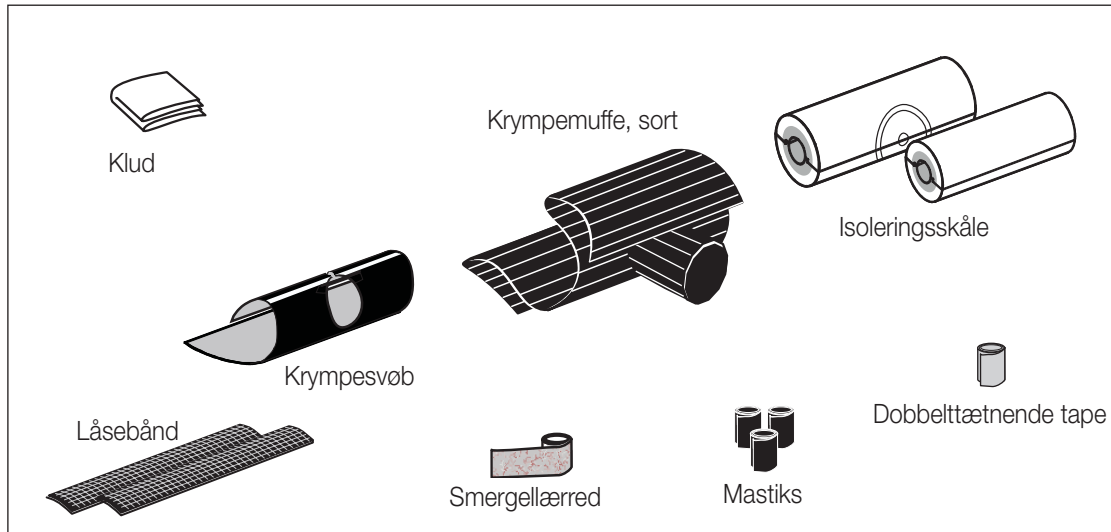


TMC-C

T-muffe, åben

Monteringsanvisning

1/4

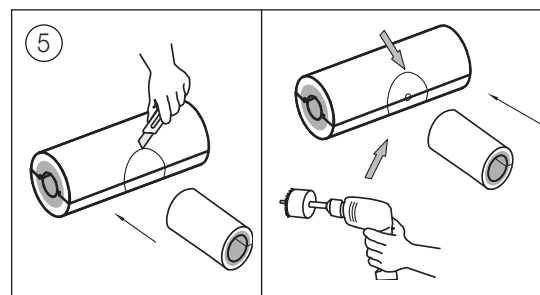
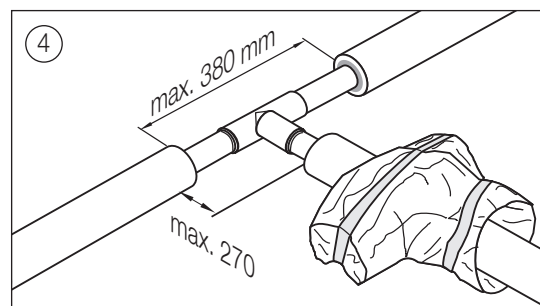
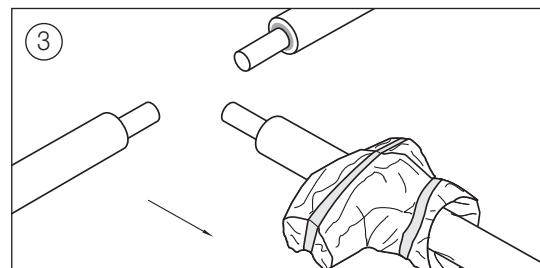
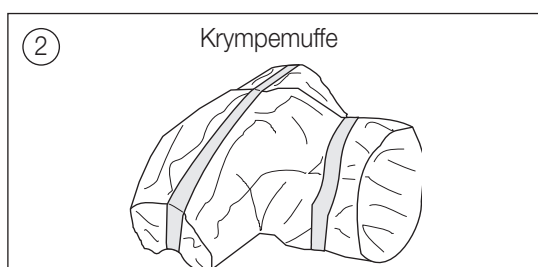
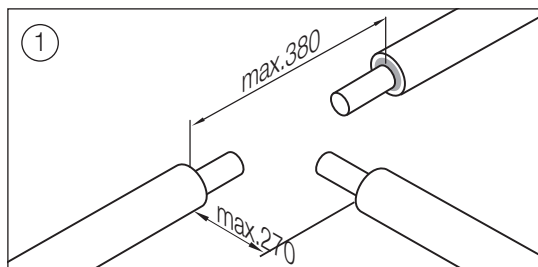


Vigtigt:

Varm aldrig direkte på eventuelle folder, da muffematerialet misfarves og krakelerer i overfladen.

Varm aldrig ind under muffen ved enderne, da det kan medføre varige skader på muffen. Eventuel luft under muffen kan afhjælpes ved at bukke et stykke svejsetråd i U-form og stikke det ind under muffen mens denne endnu er varm.

Brug brænderhoved $\varnothing 51$ mm til muffen indtil $\varnothing 200$ mm. Ved større muffen anvendes brænderhoved $\varnothing 63$ mm.

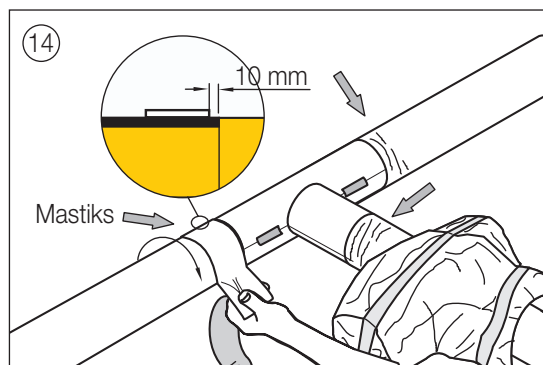
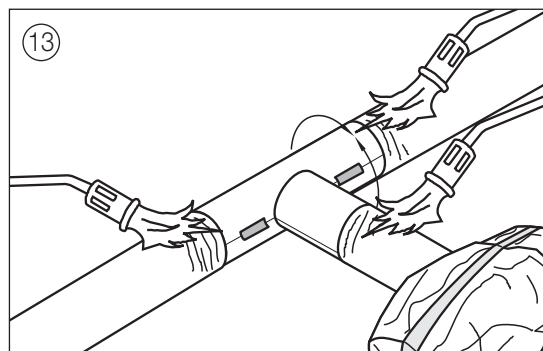
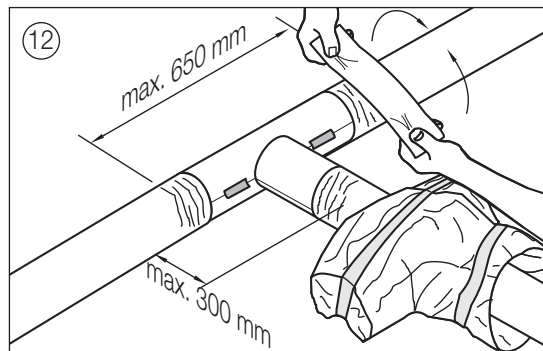
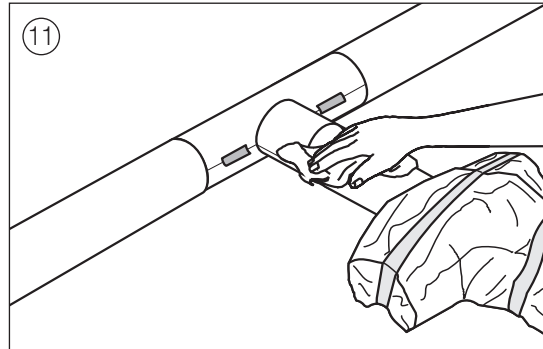
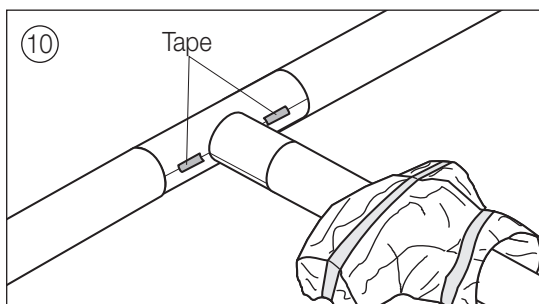
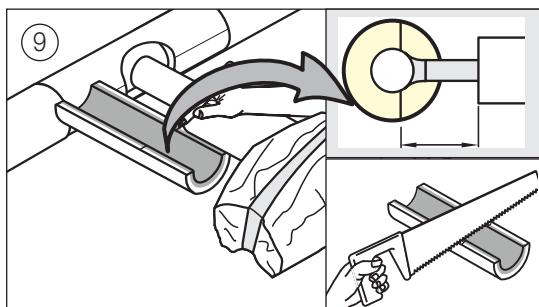
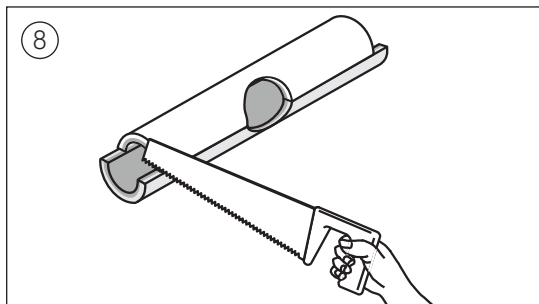
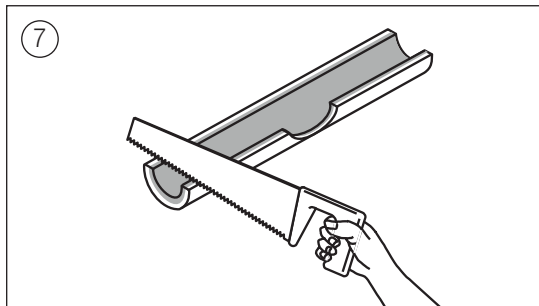
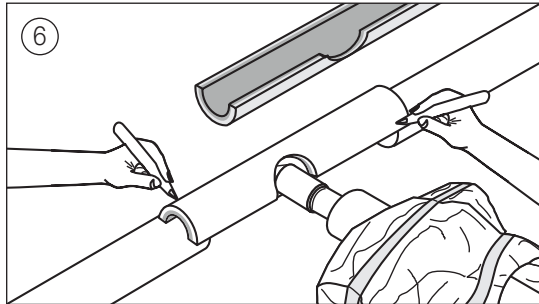


TMC-C

T-muffe, åben

Monteringsanvisning

2/4

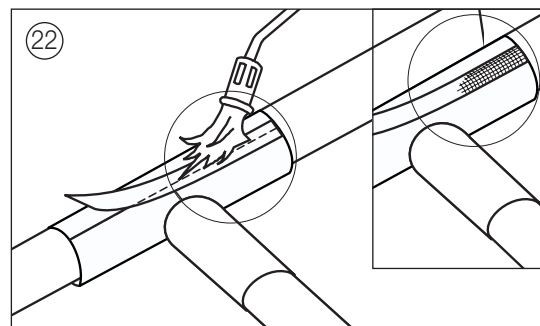
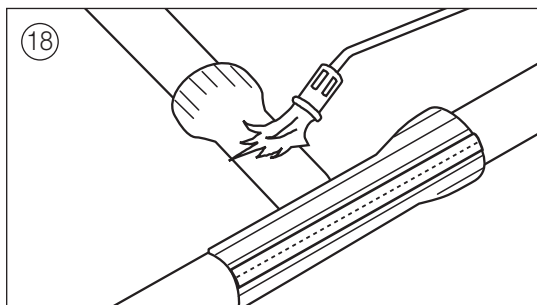
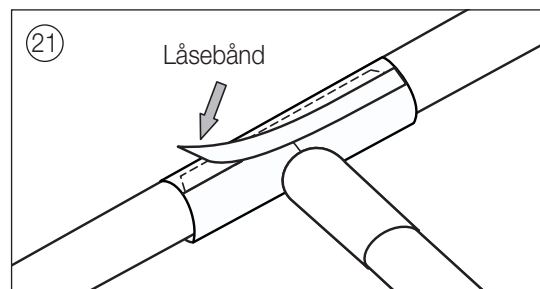
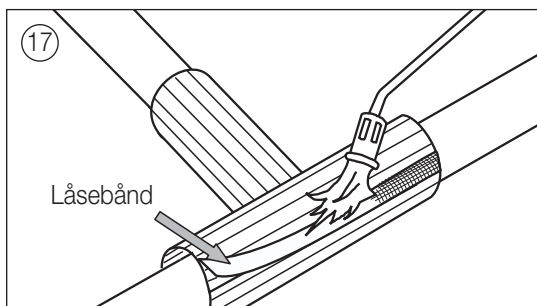
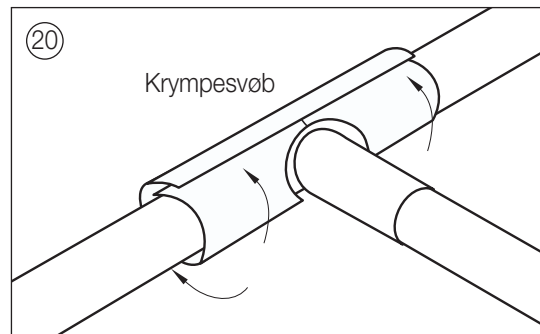
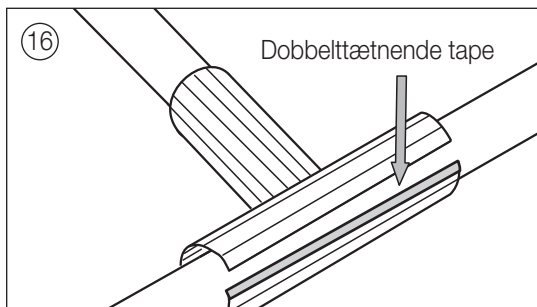
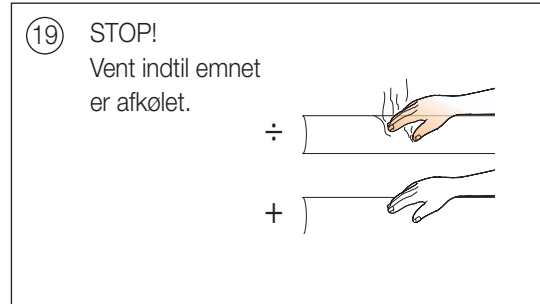
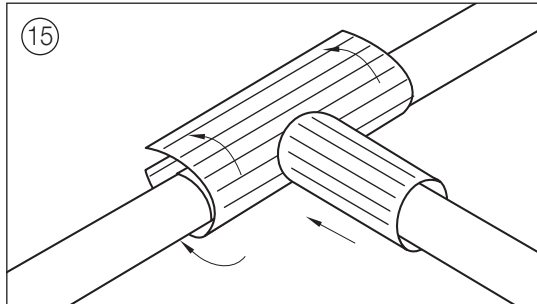


TMC-C

T-muffe, åben

Monteringsanvisning

3/4

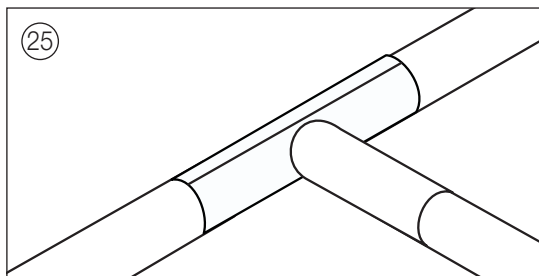
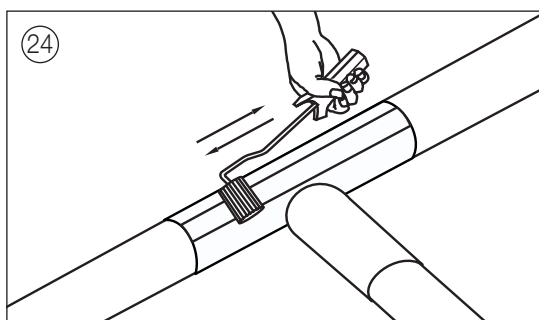
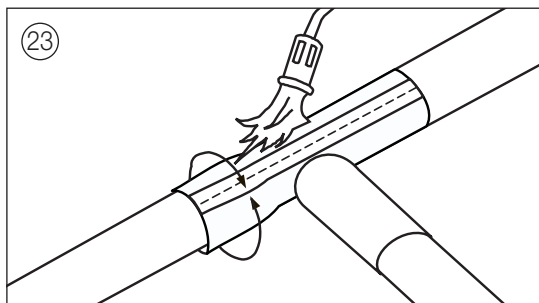


TMC-C

T-muffe, åben

Monteringsanvisning

4/4



Contact details

Denmark

LOGSTOR Denmark Holding ApS
Danmarksvej 11 | DK-9670 Løgstør

T: +45 99 66 10 00
E: logstor@kingspan.com



For the product offering in other markets please contact your local sales representative or visit www.logstor.com

Care has been taken to ensure that the contents of this publication are accurate, but Kingspan Limited and its subsidiary companies do not accept responsibility for errors or for information that is found to be misleading. Suggestions for, or description of, the end use or application of products or methods of working are for information only and Kingspan Limited and its subsidiaries accept no liability in respect thereof.

To ensure you are viewing the most recent and accurate product information, please scan the QR code directly above.

